

# Reunion 10 Charting

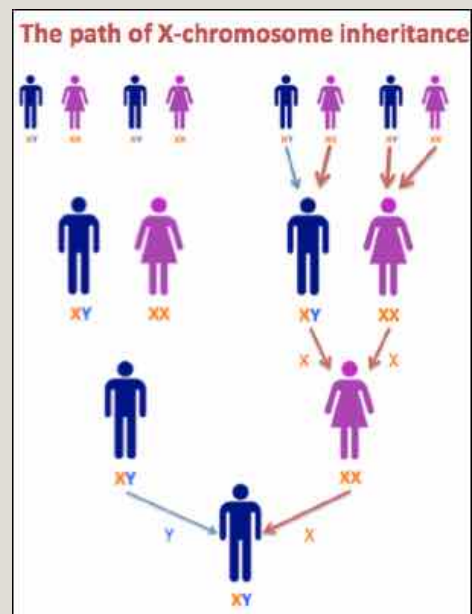
*Charts for analyzing DNA Relationships*

# Disclaimer

- *This is not a class on DNA*
- *Purpose is to illustrate ideas on how you can use your genealogy research and DNA results to explore relationships between individuals*
- *As Blaine Bittinger says, this is “another tool for the genealogist’s toolbox”*

# Basics-YOU

- *Everyone inherits an X Chromosome from Mom*
- *Girls inherit an X Chromosome from Dad or*
- *Boys inherit a Y Chromosome from Dad*



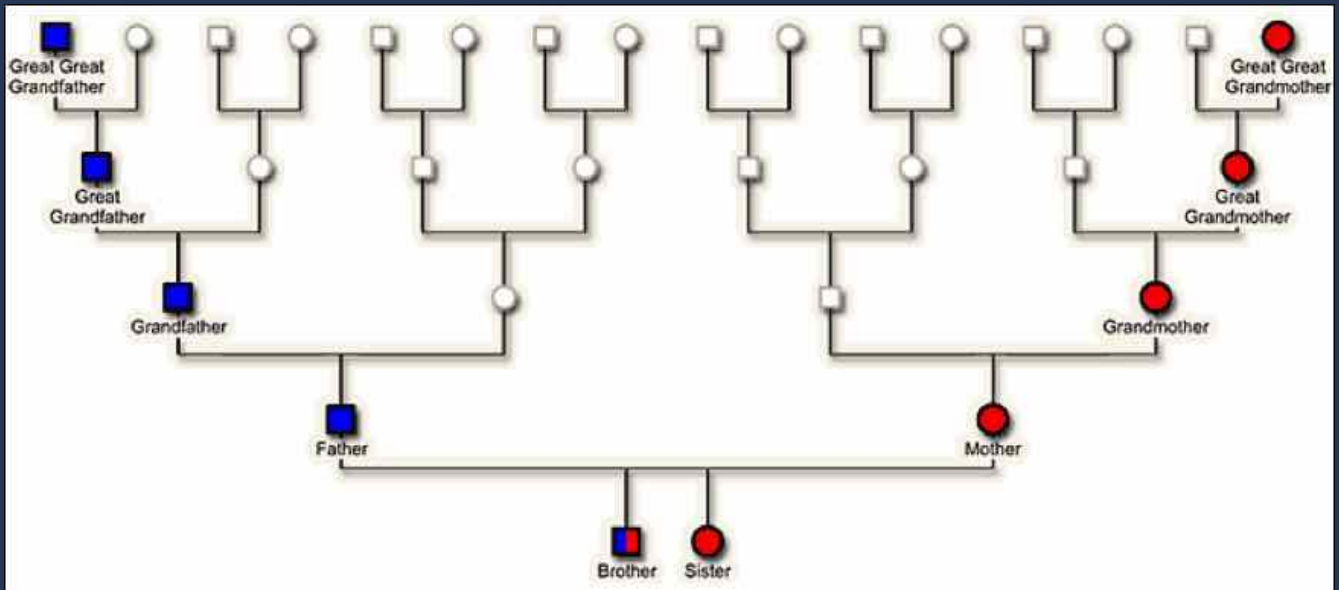
<http://dnaandfamilytreeresearch.blogspot.com>

# Basics-Four types of DNA

- ***Y-DNA***: tests the  $\Upsilon$  Chromosome passed from father to son
- *son < father < grandfather < g-grandfather < etc.*
- *Surname*

# Basics-Four types of DNA

- ***Mitochondrial DNA (mtDNA)***: received from Mom by Girls AND Boys. But can only be passed on by daughters.
- *daughter < mother < grandmother < g-grandmother < etc.*
- *Changes surname every generation (more difficult to trace genealogically)*



# Y-DNA & mtDNA

*Tracing Y (Dad's Line) and X (Mom's Line)*

# Basics-Four types of DNA

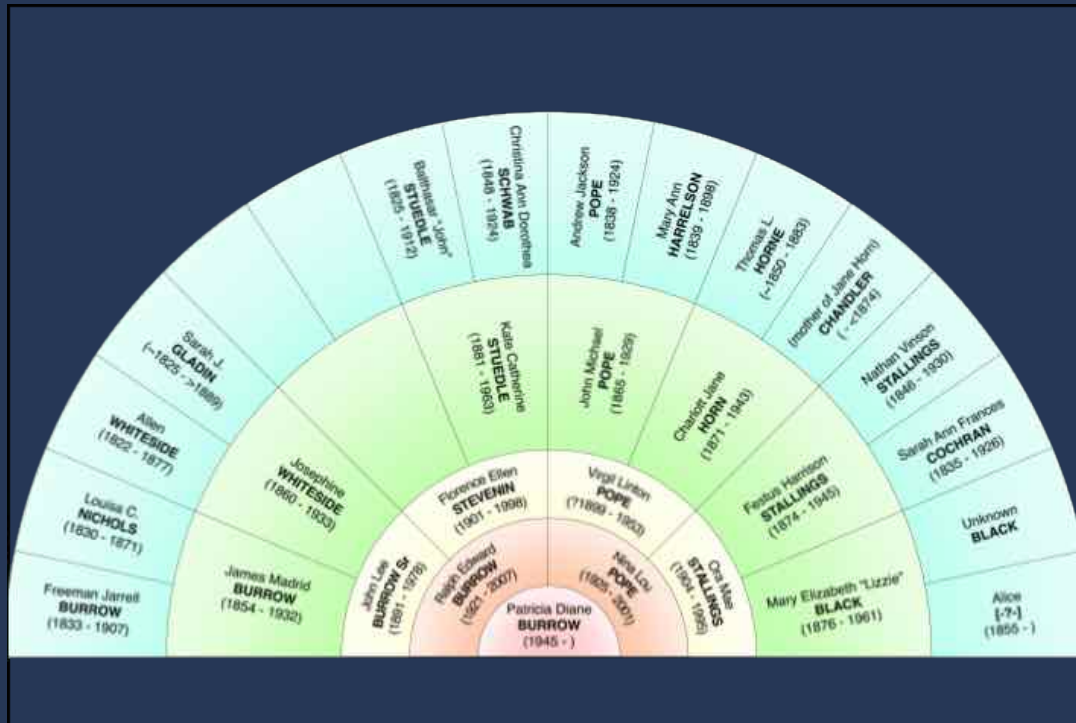
- ***Autosomal DNA (atDNA)***: *received from all of your ancestors.*
- *You carry much of the same DNA as your cousins but YOU have to figure out who your common ancestor was.*
- *Testing companies provide different tools to help.*
- *Ethnicity projections (FTDNA)*



atDNA

*Your Cousins may have similar pieces*



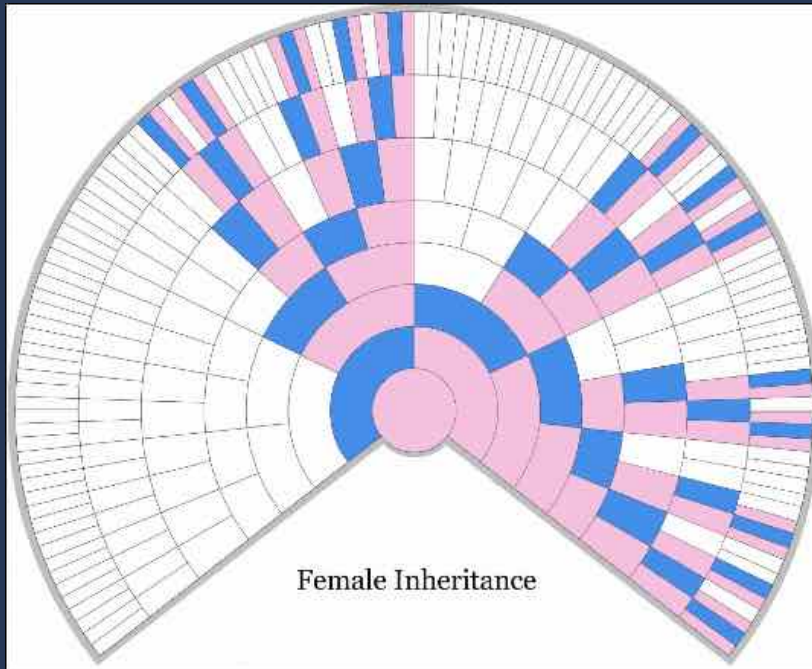


# Create your Fan Chart

*Does your Cousin have one of these ancestors?*

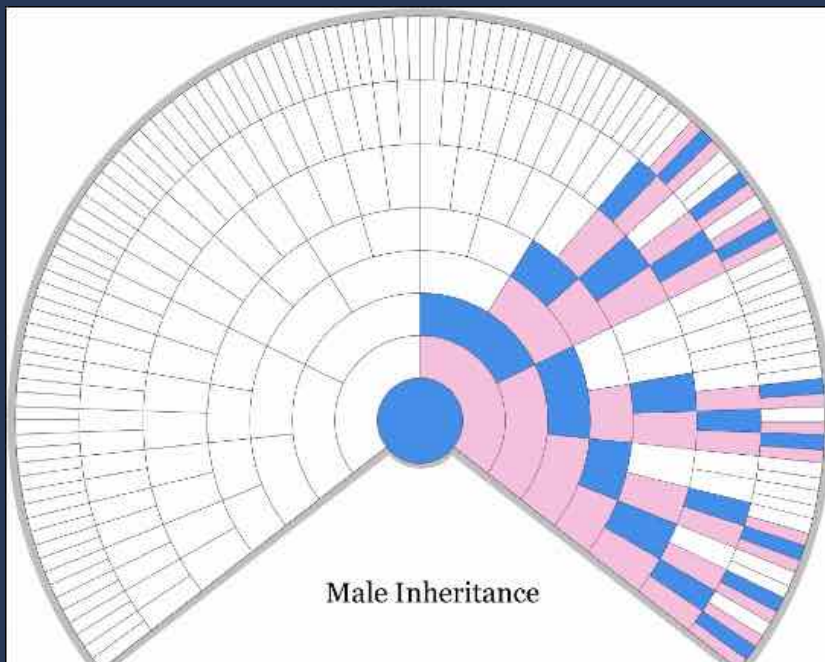
# Basics-Four types of DNA

- ***X Chromosome***: *part of autosomal DNA but with special inheritance properties.*
- *Inheritance paths different in Girls and Boys*
- *Diagram you family lines to narrow cousin options*
- *Use GedMatch, free tool, for analysis*



# X Chromosome, Female

*Fill in the blanks*



# X Chromosome, Male

*Fill in the blanks*

# DNA Testing

- *Family Tree DNA, Costs*

*YDNA67 (males only)*      \$99

*YDNA111 (males only)*      \$220

*FamilyFinder (autosomal)*      \$99

*mtDNAPlus*      \$59

*mtDNA Full Sequence*      \$199



# Blogs & Mailing Lists

## *Genealogy Junkie's Suggestions*

- Genealogy Blogs

- [DNAeXplained](#) (Roberta Estes)
- [Your Genetic Genealogist](#) (CeCe Moore)
- [The Genetic Genealogist](#) (Blaine Bettinger)
- [Kitty Cooper's Blog](#) (Kitty Cooper)
- [Cruwys News](#) (Debbie Kennett)
- [DNA and Family History Research](#) (Maurice Gleeson)



- Mailing Lists

- [DNA-NEWBIE](#) (Yahoo! Group)
  - [GENEALOGY-DNA](#) (Rootsweb Group)
  - [Autosomal-DNA](#) (Rootsweb Group)
  - [AdoptionDNA\\_Tools](#) (Yahoo! Group)
  - [DNAAdoption](#) (Yahoo! Group)
  - [UnknownFatherDNAGroup](#) (Yahoo! Group)
- } Adoption

